

UL-555 Classified Fire Damper

Type : Fire Damper
Model : FD-GB-20-A/AS/B/BS/AF/BF/R
Fire Rating : 20 Series: 1½ hour
Construction : Galvanized Steel (GI)

B-20 Series

UL- 555 Test Ratings

Fire Rating : 1½ hrs.

Standard Construction

Frame

18 gauge (1.2 mm) thick galvanized steel.

Blades

Curtain type blade made of 22 gauge (0.8 mm) thick galvanized steel.

Fusible Link

165°F.

Blade Ramp

16 gauge (1.5 mm) thick galvanized steel angle.

Spring

0.3 mm thick by 19 mm wide, stainless steel constant force spring.

Mounting

Vertical / Horizontal

Sleeve

Minimum 0.7 mm, single section is field or factory installed. Multiple section is factory installed. Sleeve thickness as per NFPA table 3-4.6.3.

Optional Fittings

Retaining Angles

1½" x 1½" x 16 gauge (40 x 40 x 1.5) mm.

Limit Switches

For BMS open / close indication.

Transitions (R)

Neck adapter for round duct connections.

| Standard Sizes Any Combination (W x H) | | | |
|---|-------|------|----------|
| W | H | h | Module |
| 4" | 4" | 1" | Single |
| 10" | 10" | 1" | Single |
| 12" | 12" | 1" | Single |
| 16" | 16" | 1.5" | Single |
| 20" | 20" | 2" | Single |
| 24" | 24" | 2.5" | Single |
| 30" | 30" | 3" | Single |
| 36" | 36" | 3.5" | Single |
| 39 ½ " | 39½ " | 3.5" | Single |
| 72" | 72" | 3.5" | Multiple |

Optional Construction (UL Certification N/A)

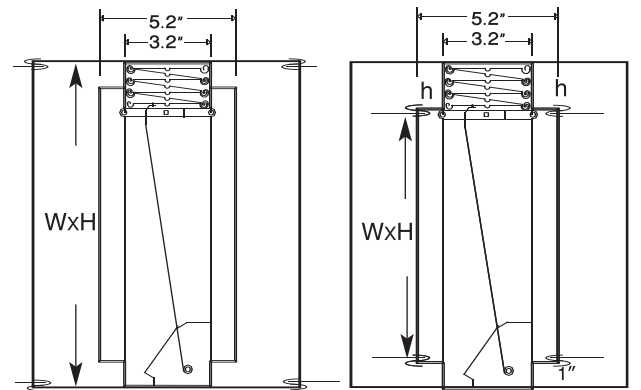
Frame : Stainless Steel 18 gauge (304/316L)

Blade : Stainless Steel 22 gauge (304/316L)



Model : FD-GB-20-A/AS/B/BS/AF/BF/RUL 555 Damper meets the required standards of SMACNA, NFPA, IBC, BOCA, ICBO, UL.

Sleeve Mounting Details




Blades in Air stream
FD-GB-20-AS

Blades above Air stream
FD-GB-20-BS

| Model of Fire Damper FD-GB-20-A/AS/B/BS/AF/BF/R | |
|---|---|
| A | Blades in air stream |
| B | Blades above air stream |
| AS | Blades in air stream with sleeve |
| BS | Blades above air stream with sleeve |
| AF | Blades in air stream with mounting frame |
| BF | Blades above air stream with mounting frame |
| R | Round Spigot |

| Size Limitation | | |
|-----------------|-----------------------|----------|
| Module | Size : Width x Height | Position |
| Single | Max X Max 36" x 36" | H |
| Single | Max X Max 39½" x 39½" | V |
| Multiple | Max X Max 72" x 72" | V |



UL Classified (see mark on product)
 UL Classified to American/Intl safety standards
 UL Standard 555 (Listing # R21925)

Selected Products of the company have been Classified / Listed / Tested by various international testing authorities.

