

AMCA500 - L Tested Sand Trap Louver

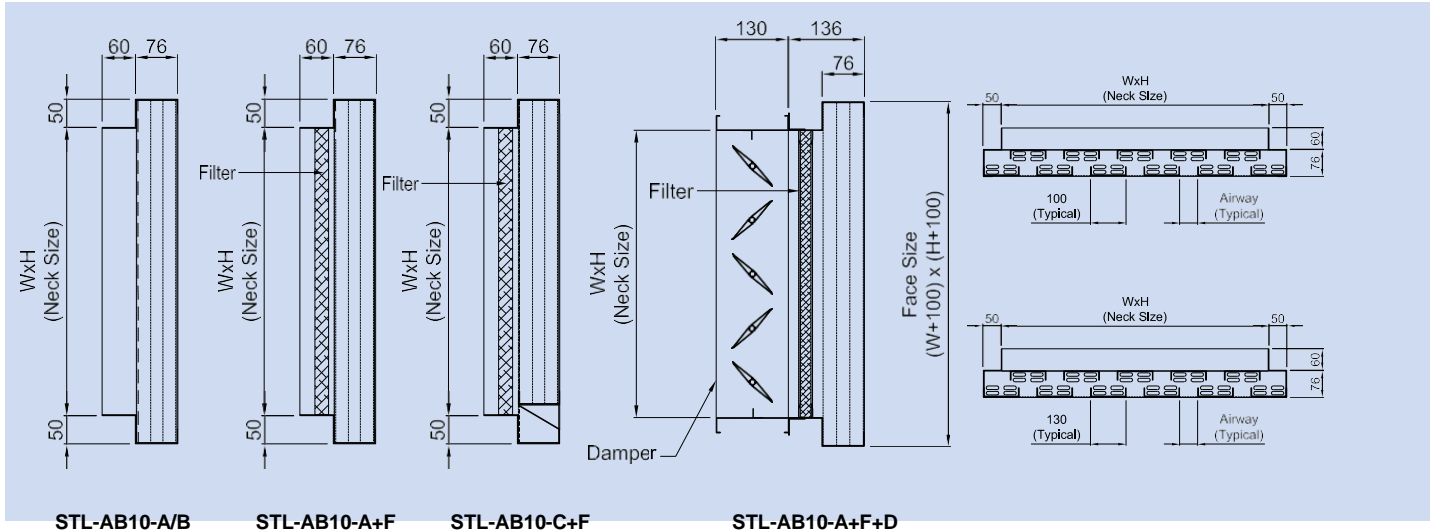
B-10 Series

For Light / Medium duty applications

Model: STL-AB-11A (AMCA 500-L); Blade Width: 1 – 100* mm; 2 – 130 mm

Type : A - Wall Mounted; B - Duct Mounted ; C - Flush Mounted

"BETEC CAD. certifies that the STL-AB-11 A/B/C shown herein is licensed to bear the AMCA Seal. The ratings shown are based on tests and procedures performed in accordance with AMCA Publication 511 and comply with the requirements of the AMCA Certified Ratings Program."



Standard Construction

Frame

1.2 mm thick extruded aluminum profile.

Blade

1.2 mm thick extruded aluminum profile.

Blade Orientation

Vertical.

Blade Type

U Shaped 100 mm.

Screen

Galvanized Steel 0.4 mm thickness.

Finish

Mill finish.

Optional Fittings

Blade

U Shaped 130 mm.

Screen

S-3 SS Bird Screen

S-10 SS Fly Screen

Filter

13 / 25 mm thickness aluminum media filter.

Damper

Control Damper

Mounting Angles

Mounting frame and angle flange.

Finish

Available with RAL powder coating, please specify color.

B-10 Series Model Details

Model	Frame		Blade	
	Material	Thickness	Material	Thickness
STL-AB-11/12A/B/C	AL	1.2* mm	AL	1.2* mm
STL-GB-11/12A/B/C	GI	1.2 mm	GI	0.9 mm
STL-SB-11/12A/B/C	SS	1.2 mm	SS	0.9 mm

Alphabet indicates the type of installation

A - Wall Mounted

B - Duct Mounted

C - Flush Mounted

Optional Construction Details

Frame : Thickness up to 4 mm

Blade : Thickness up to 4 mm

Any Combination of W x H

STL-AB-11/12												
Win Inchs	4"	6"	8"	10"	12"	14"	16"	18"	20"	22"	24"	30"
Hin Inchs	4"	6"	8"	10"	12"	14"	16"	18"	20"	22"	24"	30"

Note:

Maximum single module construction - 3 x 1.8 meters

Multiple module available with mullion.

Applications :

- Sand Trap Louvers B-11 Light duty and B-12 Medium duty model construction, are suitable for the duct or wall mounting applications in HVAC systems, where excessive intake air filtration is required for ventilation purpose.

- Sand Trap Louvers fitted with filters and dampers are suitable for the AHU's applications for fresh air intake.

Note : Please contact **BETEC CAD.** for customized design and specification.

Selected Products of the company have been Classified / Listed / Tested by various international testing authorities.



Sand Trap Louver - STL Engineering and Performance Data

B-10 Series

"BETEC CAD. certifies that the STL-AB-11A/B/C shown herein is licensed to bear the AMCA Seal. The ratings shown are based on tests and procedures performed in accordance with AMCA Publication 511 and comply with the requirements of the AMCA Certified Ratings seal Applies only to air performance.

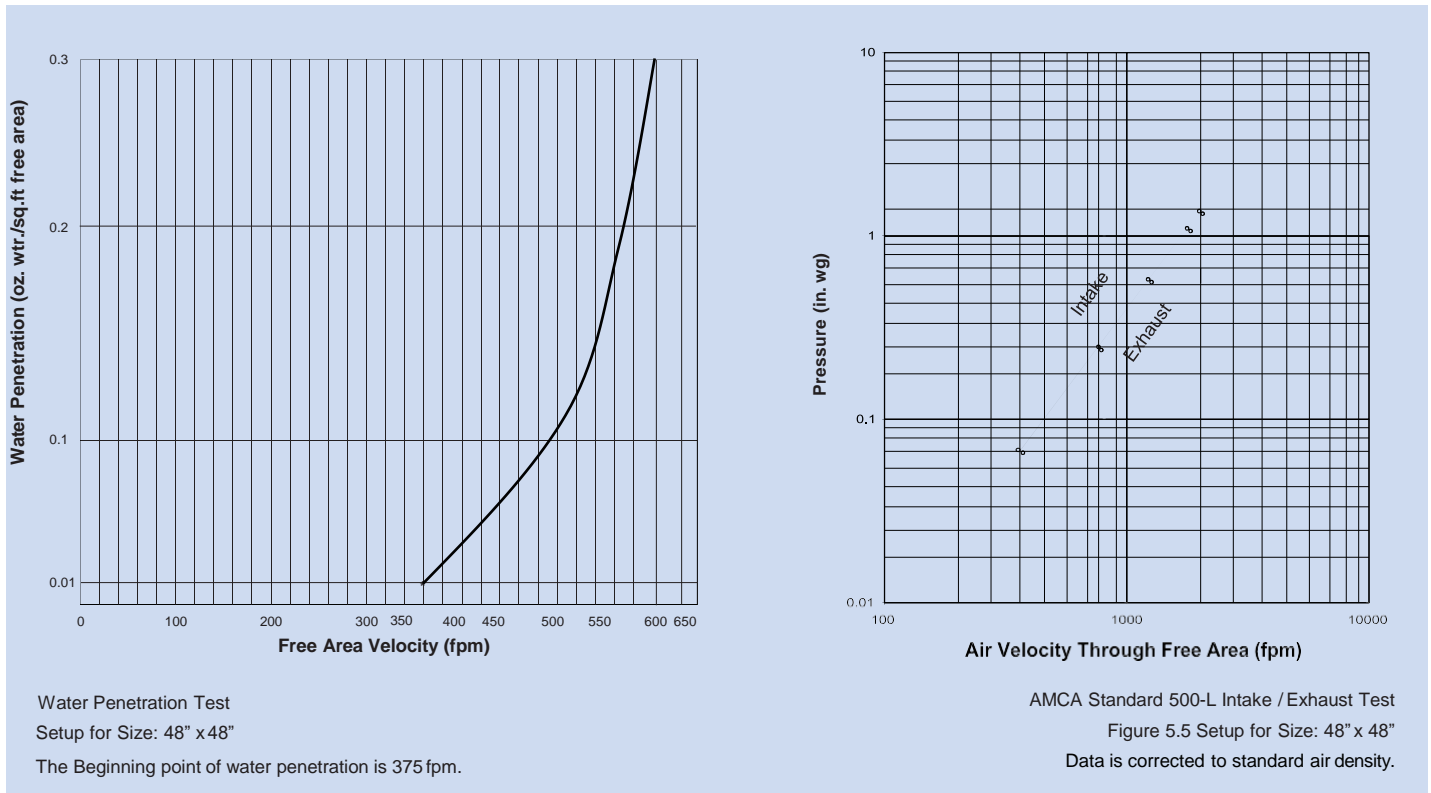


Selection table for **Model : STL-AB-11A/B/C**

Free area Ak in mt ² For Model : STL-AB-11A/B/C AMCA500-L Tested.											
W/H	300	450	600	750	900	1050	1200	1500	1800	2100	2400
300	0.010	0.018	0.025	0.033	0.040	0.048	0.055	0.070	0.085	0.100	0.115
450	0.020	0.035	0.050	0.065	0.080	0.095	0.110	0.140	0.170	0.200	0.230
600	0.030	0.053	0.075	0.098	0.120	0.143	0.165	0.210	0.255	0.300	0.345
750	0.040	0.070	0.100	0.130	0.160	0.190	0.220	0.280	0.340	0.400	0.460
900	0.050	0.088	0.125	0.163	0.200	0.238	0.275	0.350	0.425	0.500	0.575
1050	0.060	0.105	0.150	0.195	0.240	0.285	0.330	0.420	0.510	0.600	0.690
1200	0.070	0.123	0.175	0.228	0.280	0.333	0.385	0.490	0.595	0.700	0.805
1500	0.091	0.158	0.226	0.293	0.361	0.428	0.496	0.630	0.765	0.900	1.035
1800	0.111	0.193	0.276	0.358	0.441	0.523	0.606	0.771	0.936	1.101	1.265
2100	0.131	0.228	0.326	0.423	0.521	0.618	0.716	0.911	1.106	1.301	1.496
2400	0.151	0.264	0.376	0.488	0.601	0.713	0.826	1.051	1.276	1.501	1.726

1220 x 1200 mm Louver free area 0.385 Sq.mt

Model : STL-AB-11A/B/C Pressure Drop V/S Face Velocity Graph. as per AMCA500-L



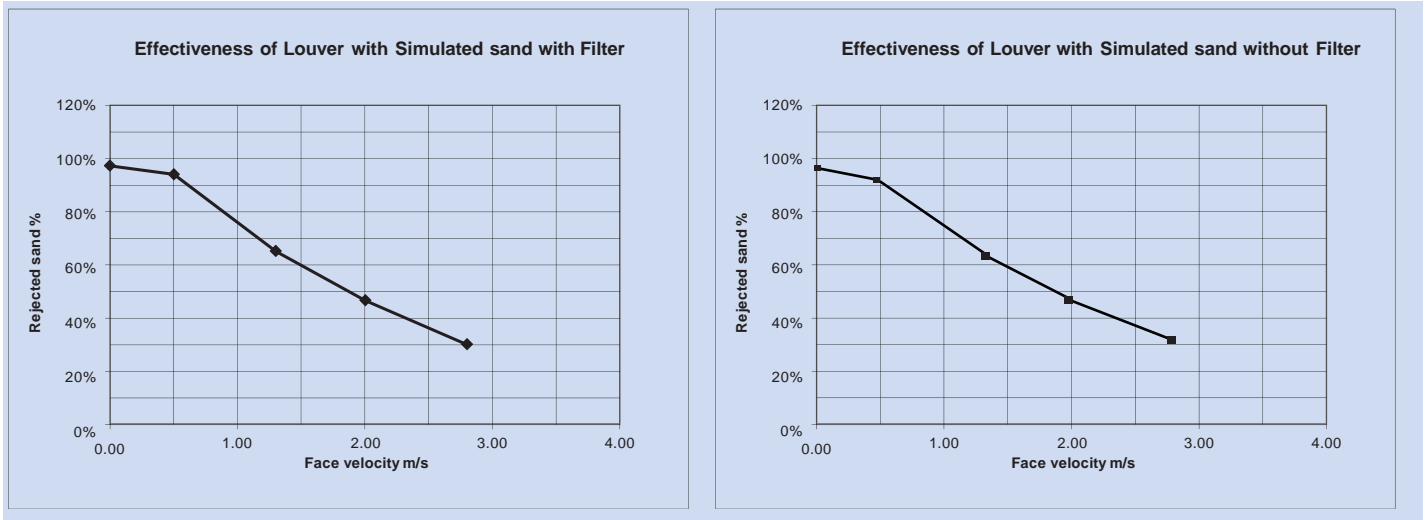
Selected Products of the company have been Classified / Listed / Tested by various international testing authorities.



Sand Trap Louver - STL Engineering and Performance Data

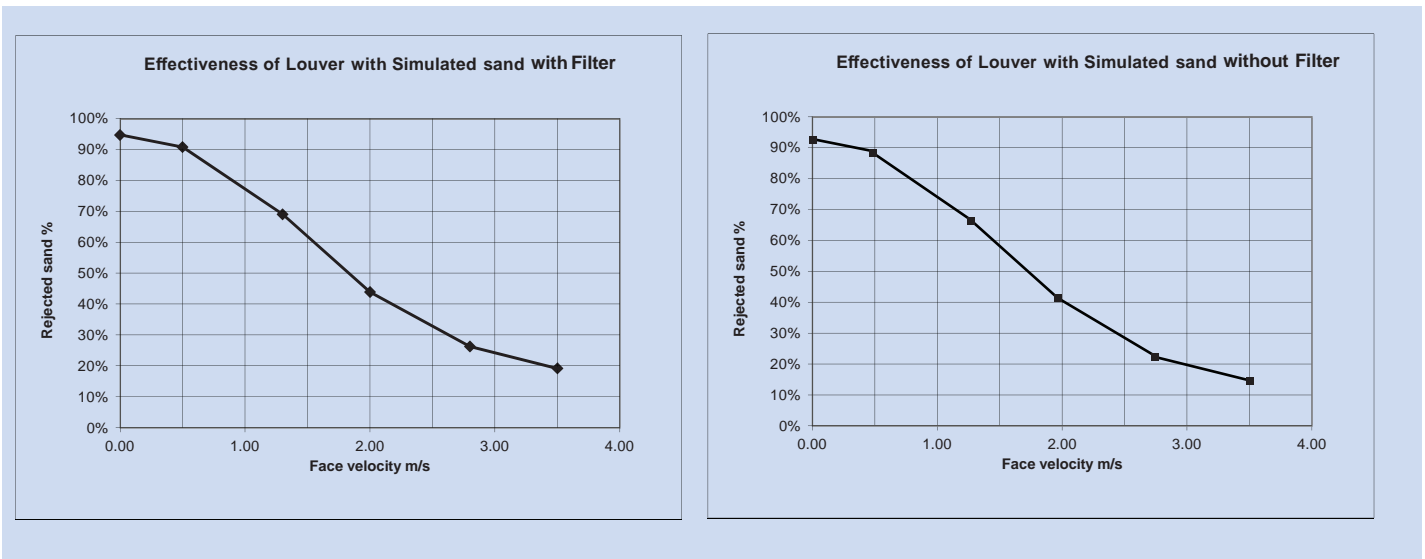
B-10/20 Series

Model : STL-AB-11A Sand Rejection V/S Face Velocity Graph. (as per BSRIA)



Sand Rejection Efficiency (as per BSRIA) Model : STL-AB-11						
Description	STL		STL + F1		STL+F1+D+F2+F3	
Face Velocity	0.5 mt/s	1.0 mt/s	0.5 mt/s	1.0 mt/s	0.5 mt/s	1.0 mt/s
Partical Size	150-700	150-700	75-150	75-150	75-150	75-150
% Efficiency	92%	75%	95%	77%	98%	96%

Model : STL-BC-22C Sand Rejection V/S Face Velocity Graph. (as per BSRIA)

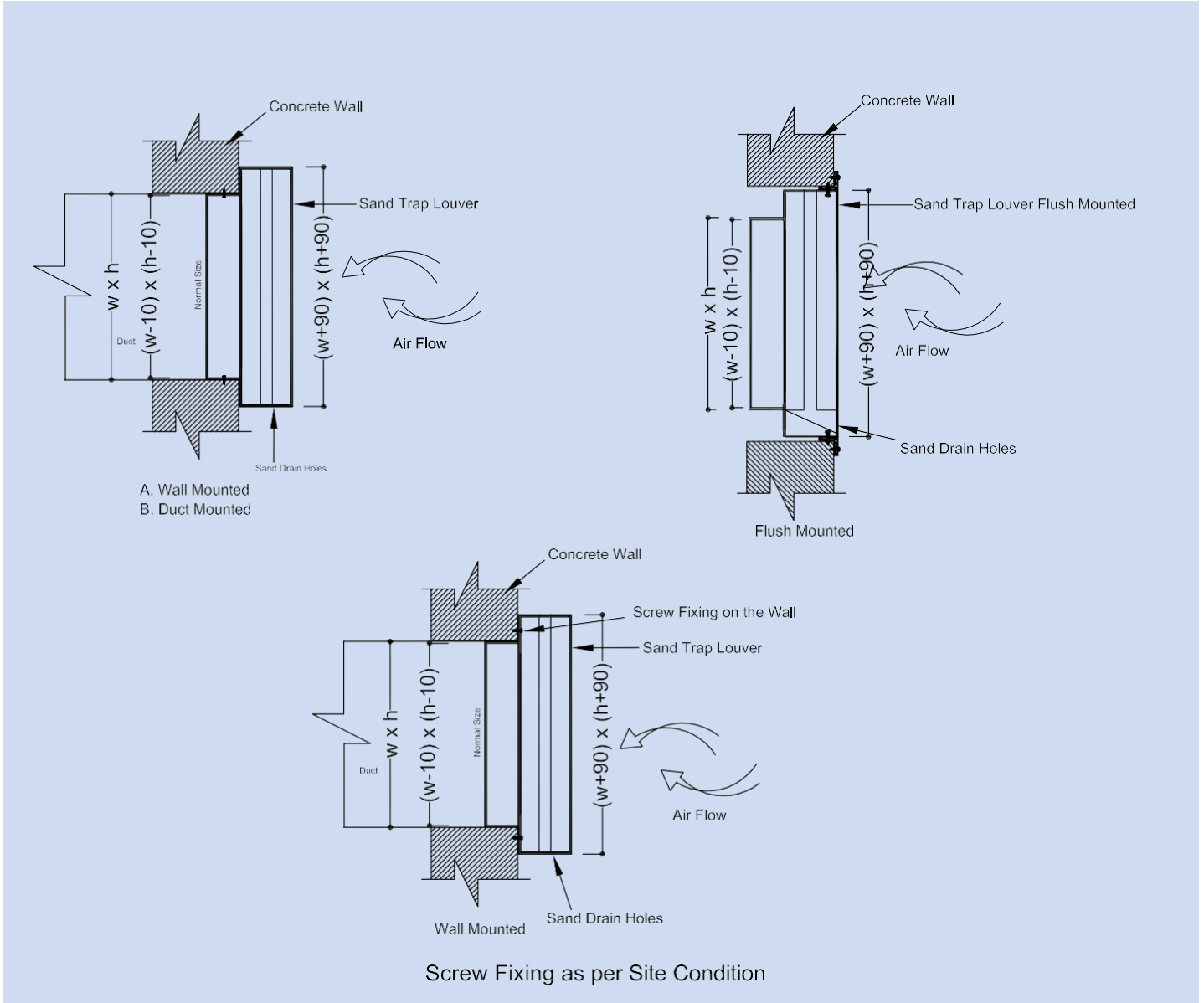


Sand Rejection Efficiency (as per BSRIA) Model : STL-BC-22C						
Description	STL		STL + F1		STL+F1+D+F2+F3	
Face Velocity	0.5 mt/s	1.0 mt/s	0.5 mt/s	1.0 mt/s	0.5 mt/s	1.0 mt/s
Partical Size	150-700	150-700	75-150	75-150	75-150	75-150
% Efficiency	89%	75%	92%	78%	98%	96%

Selected Products of the company have been Classified / Listed / Tested by various international testing authorities.



Installation Details



Note :

Fixing Details - Standard supply type screw fixing
Recommended for side wall applications.

Selected Products of the company have been Classified / Listed / Tested by various international testing authorities.

