

AMCA500 - L Tested Weather Louvers

B-20 Series

Heavy Duty Non-Drinable Louver

Model : WL-AB-22A/A/B/C

Type : **A*** - Wall Mounted; **B** - Duct Mounted; **C** - Flush Mounted

BETEC CAD. Manufactures Model WL AB 22A/B/C Aerofoil blade weather louver which are designed for both intake and exhaust air applications. These louvers have been designed to ensure to meet minimum pressure loss and water ingress with high free area.

Aerofoil blade design ensure less pressure drop at high air volume & velocity.

Standard Construction

Frame Material

100 mm deep, 3 mm thick extruded aluminum.

Blade Material

2 mm thick Aerofoil extruded aluminum.

Blade Orientation

Horizontal.

Blade Type

Fixed.

Blade Angle

45° Degree.

Finish

Mill finish.

Optional Fittings

Screen

Galvanized Steel 0.4mm thick

S-3SS Bird screen

S-10 SS Fly screen

Filter

13 / 25 mm thick aluminum filter.

Damper

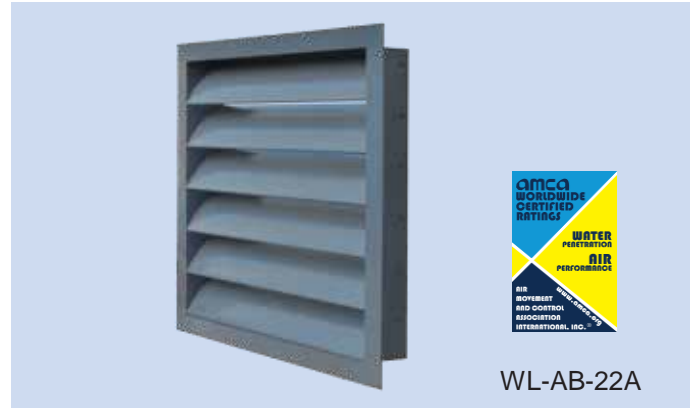
Control Damper.

Finish

Available with RAL Powder coating, please specify color.

Note :

Please contact **BETEC CAD.** for customized design & additional information.



BETEC CAD. Industries FZC. certifies that model WL-AB-22A/B/C Weather louver is licensed to bear the AMCA seal. The ratings shown are based on tests and procedures performed in accordance with the requirements of the AMCA Certified Ratings Program. The AMCA seal applies to air performance and water penetration for Weather louvers only.

Features

- Low pressure drop performance with high free area.
- Aluminum construction for low maintenance and high resistance to corrosion.
- Free Area - 34.1%
- Performance as per AMCA 500 - L
- Excellent pressure drop performance.

B-20 Series Model Details				
Material Construction				
Model	Frame		Blade	
	Material	Thick	Material	Thick
WL-AB-22A/B/C	AL	3 mm	AL	2 mm

- Alphabet indicates the type of installation

A - Wall Mounted

B - Duct Mounted

C - Flush Mounted

Any Combination of W x H										
WL-AB-22A/B/C										
Width in Inches	4"	6"	10"	12"	16"	20"	30"	36"	48"	96"
Height in inches	4"	6"	10"	12"	16"	20"	30"	36"	48"	96"

Note:

Maximum single module construction - 2 x 2 meters

Multiple module available with mullion.

Selected Products of the company have been Classified / Listed / Tested by various international testing authorities.



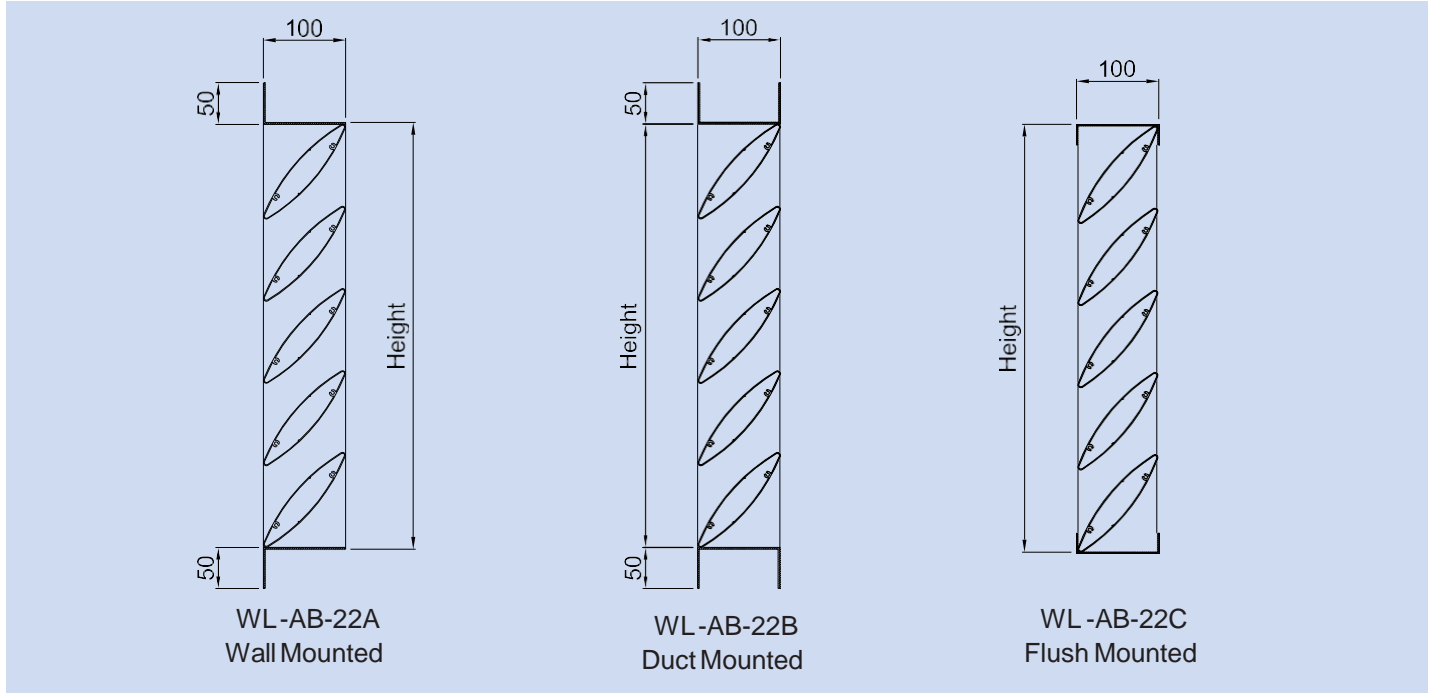
AMCA500 - L Tested Weather Louvers

B-20 Series

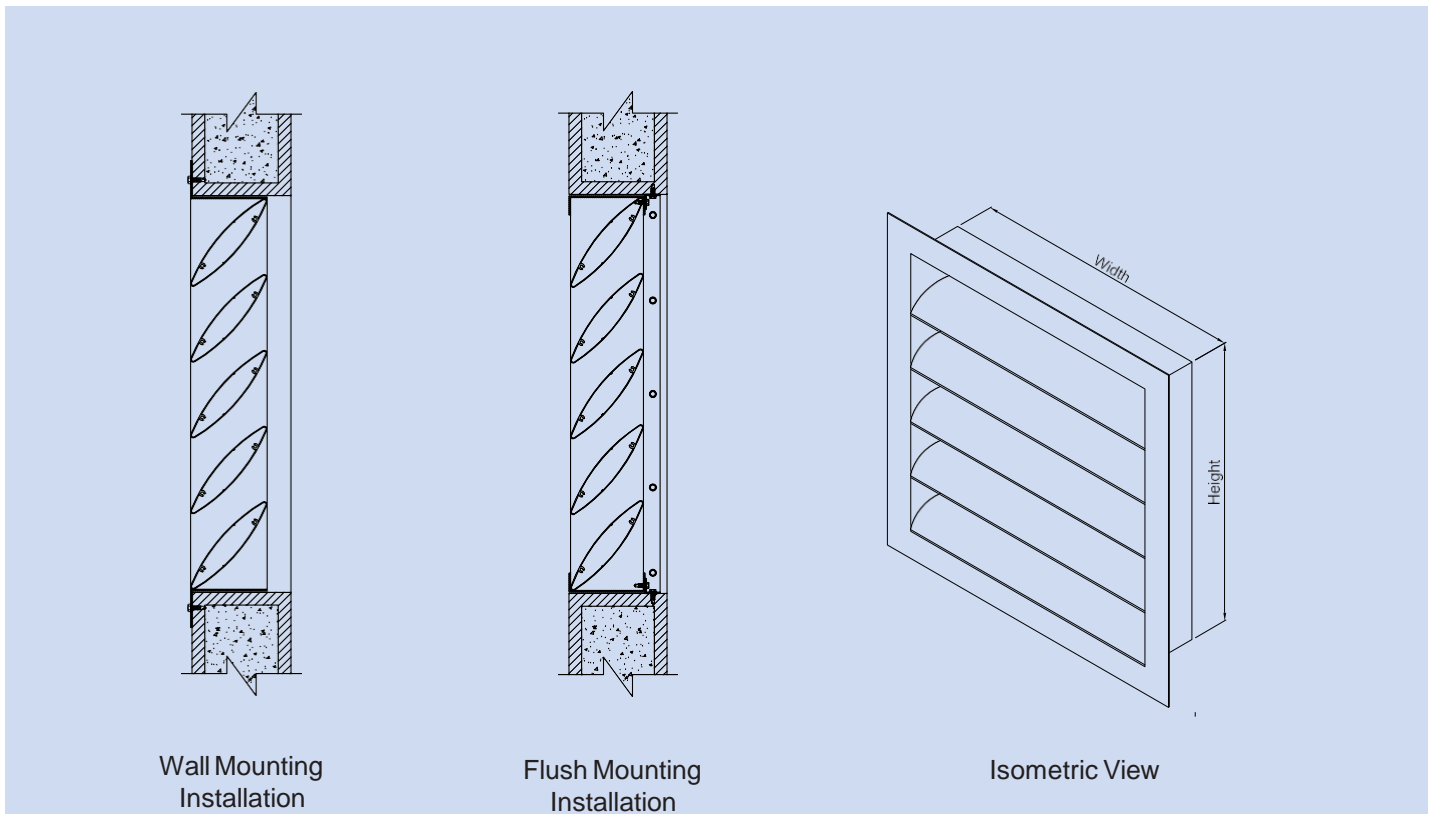
Constructional Details

Model : WL-AB-22A/B/C

A* - Wall Mounted; B - Duct Mounted; C - Flush Mounted



Installation Details



Selected Products of the company have been Classified / Listed / Tested by various international testing authorities.



AMCA500-L Tested Weather Louver
B-20 Series
Engineering and Performance Data

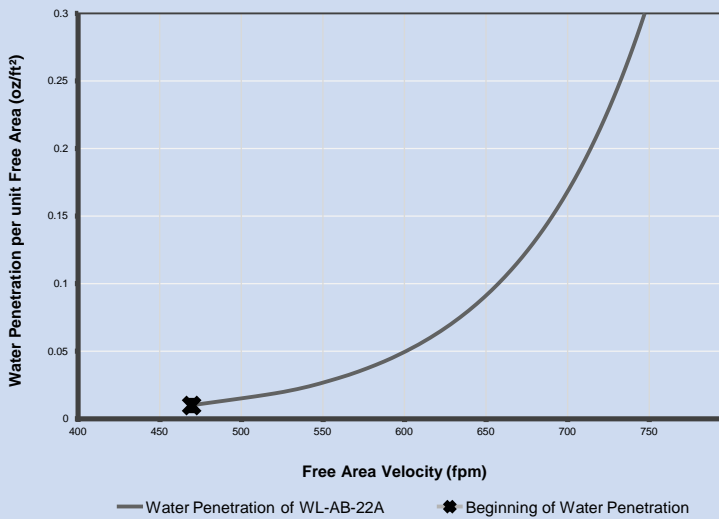
Louver Free Area Model : WL-AB-22A/B/C

Free area in sq. meters											
W/H	200	300	400	500	600	700	800	900	1000	1100	1200
200	0.007	0.006	0.013	0.020	0.027	0.034	0.041	0.048	0.055	0.062	0.069
300	0.015	0.012	0.026	0.040	0.054	0.068	0.082	0.096	0.110	0.124	0.138
400	0.022	0.017	0.038	0.060	0.081	0.102	0.123	0.143	0.165	0.186	0.207
500	0.029	0.023	0.051	0.079	0.108	0.136	0.164	0.191	0.220	0.248	0.276
600	0.037	0.029	0.064	0.099	0.134	0.170	0.205	0.239	0.275	0.310	0.345
700	0.044	0.035	0.077	0.119	0.161	0.203	0.246	0.287	0.330	0.372	0.414
800	0.051	0.041	0.090	0.139	0.188	0.237	0.287	0.334	0.385	0.434	0.483
900	0.059	0.046	0.103	0.159	0.215	0.271	0.327	0.382	0.440	0.496	0.552
1000	0.066	0.052	0.115	0.179	0.242	0.305	0.368	0.430	0.495	0.558	0.621
1100	0.073	0.058	0.128	0.199	0.269	0.339	0.409	0.478	0.550	0.620	0.690
1200	0.081	0.064	0.141	0.218	0.296	0.373	0.450	0.525	0.605	0.682	0.759

Water Penetration V/S Free Area Velocity Graph

Model : WL-AB-22A/B/C; Size : 48" x 48"

Water Penetration of WL-AB-22A


 AMCA Standard 500-L Water Penetration Test (15 minutes test duration)
 The beginning point of water penetration @ 460 fpm.

Water Penetration V/S Free Area Velocity Graph

Model : WL-AB-22A/B/C; Size : 48" x 48"

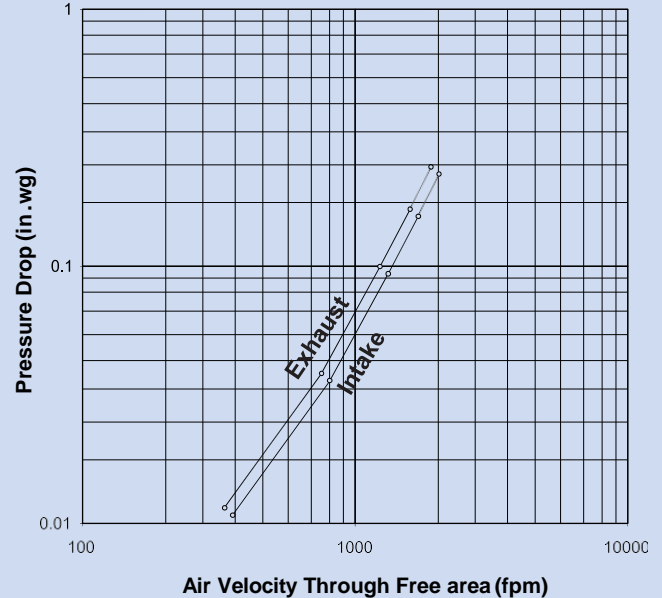


Fig 5.5

 AMCA Standard 500-L Pressure Drop Test.
 Data is corrected to standard air density.

BETEC CAD. Industries FZC. certifies that model **WL-AB-22A/B/C** Weather louver is licensed to bear the **AMCA** seal. The ratings shown are based on tests and procedures performed in accordance with the requirements of the **AMCA** Certified Ratings Program. The **AMCA** seal applies to air performance and water penetration for Weather louvers only.



Selected Products of the company have been Classified / Listed / Tested by various international testing authorities.

