

## AMCA500-L Tested Weather Louver

## B-20 Series

Heavy Duty Non-Drinable Louver

Model : WL-AB-21A/B/C

Type : **A\*** - Wall Mounted; **B** - Duct Mounted; **C** - Flush Mounted

**BETEC CAD.** Manufactures Model WL AB 21A/B/C weather louver with and without damper combinations, which are designed for both intake and exhaust air applications. These louvers have been designed for minimum pressure loss and low self-generated aerodynamic noise.

### Standard Construction

#### Frame Material

70 mm deep 2mm thick extruded aluminum angle.

#### Blade Material

1.5 mm thick extruded aluminum.

#### Blade Orientation

Horizontal.

#### Blade Type

Fixed.

#### Blade Angle

45° Degree.

#### Finish

Mill finish.

### Optional Fittings

#### Screen

Galvanized Steel 0.4mm thick  
S-3 SS Bird screen  
S-10 SS Fly screen

#### Filter

13 / 25 mm thick aluminum filter

#### Damper

Control Damper.

#### Finish

Available with RAL Powder coating, please specify color.

### Optional Construction Details

**Frame** : Thickness up to 4 mm

**Blade** : Thickness up to 4 mm

#### Note :

Please contact **BETEC CAD.** for customized design & additional information.



**BETEC CAD.** Industries FZC. certifies that model **WL-AB-21A/B/C** Weather Louver is licensed to bear the **AMCA** seal. The ratings shown are based on tests and procedures performed in accordance with the requirements of the **AMCA** Certified Ratings Program. The **AMCA** seal applies to air performance and water penetration for Weather Louvers only.

### Features

- Closely spaced horizontal blades minimize the penetration of wind-driven rain, reducing damage and additional operating expenses.
- Free Area 45.4%
- Performance as per AMCA 500 - L
- Excellent pressure drop performance.
- Aluminum construction for low maintenance and high resistance to corrosion.

B-20 Series Models details				
Material Construction				
Model	Frame		Blade	
	Material	Thick	Material	Thick
WL-AB-21A/B/C	AL	2 mm	AL	1.5 mm
WL-GB-21A/B/C	GI	1.5 mm	GI	1.2 mm
WL-SB-21A/B/C	SS	1.5 mm	SS	1.2 mm

Alphabet indicates the type of installation

**A** - Wall Mounted

**B** - Duct Mounted

**C** - Flush Mounted

Any Combination of W x H										
WL-AB-21A/B/C										
Width in Inches	4"	6"	10"	12"	16"	20"	30"	36"	48"	96"
Height in inches	4"	6"	10"	12"	16"	20"	30"	36"	48"	96"

#### Note:

Maximum single module construction - 2 x 1.5 meters.

Multiple module available with mullion.

Selected Products of the company have been Classified / Listed / Tested by various international testing authorities.

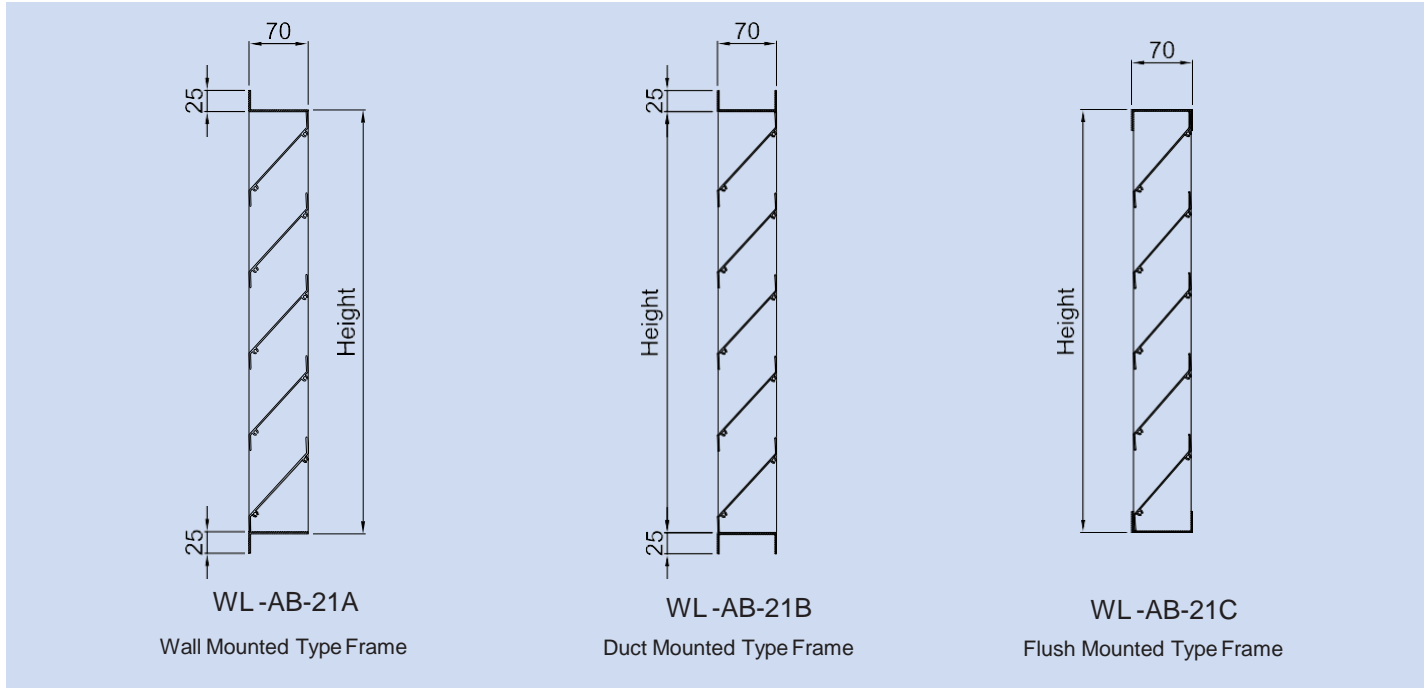


**AMCA500-L Tested Weather Louver  
Constructional Details**

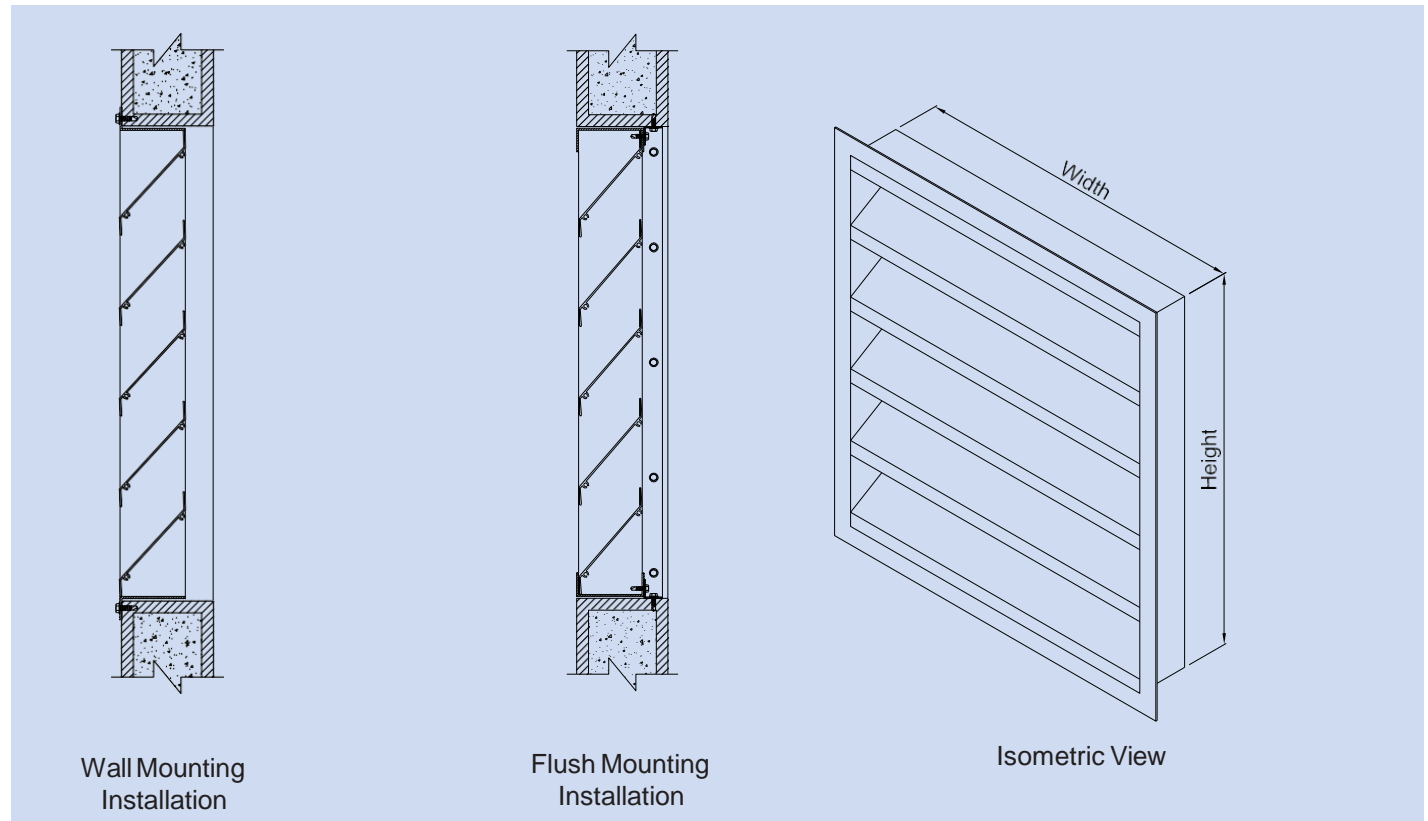
**B-20 Series**

Model : WL-AB-21A/B/C

A\* - Wall Mounted; B - Duct Mounted; C - Flush Mounted



**Installation Details**



Selected Products of the company have been Classified / Listed / Tested by various international testing authorities.



**AMCA500-L Tested Weather Louver**
**B-20 Series**
**Engineering and Performance Data**

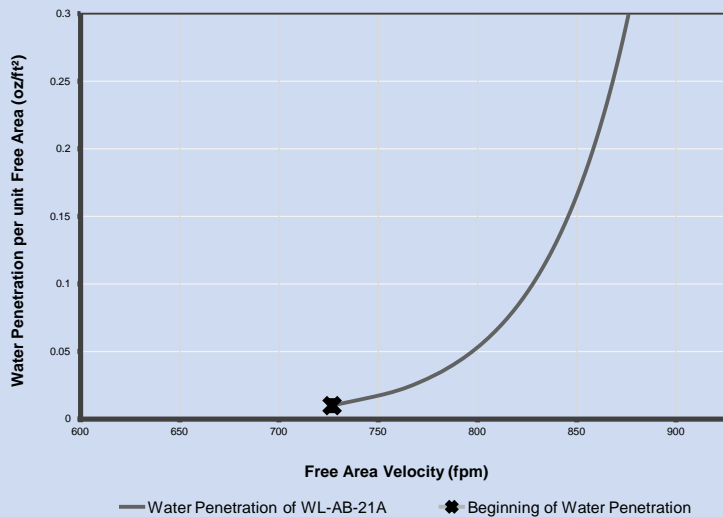
Louver Free Area Model : WL- AB-21A/B/C

Free area in sq. meters											
W/H	100	200	300	400	500	600	700	800	900	1000	1200
100	0.001	0.001	0.002	0.003	0.005	0.006	0.008	0.009	0.011	0.012	0.015
200	0.005	0.004	0.010	0.017	0.025	0.032	0.039	0.047	0.054	0.062	0.076
300	0.008	0.007	0.017	0.031	0.044	0.057	0.071	0.084	0.098	0.111	0.138
400	0.012	0.010	0.025	0.045	0.064	0.083	0.102	0.122	0.141	0.160	0.199
500	0.016	0.014	0.033	0.058	0.083	0.109	0.134	0.159	0.184	0.209	0.260
600	0.019	0.017	0.041	0.072	0.103	0.134	0.165	0.196	0.228	0.259	0.321
700	0.023	0.020	0.049	0.086	0.123	0.160	0.197	0.234	0.271	0.308	0.382
800	0.027	0.023	0.056	0.099	0.142	0.185	0.228	0.271	0.314	0.357	0.443
900	0.030	0.026	0.064	0.113	0.162	0.211	0.260	0.309	0.358	0.406	0.504
1000	0.034	0.029	0.072	0.127	0.182	0.236	0.291	0.346	0.401	0.456	0.565
1200	0.041	0.036	0.087	0.154	0.221	0.287	0.354	0.421	0.488	0.554	0.688

Water Penetration V/S Free Area Velocity Graph

Model : WL-AB-21A/B/C; Size : 48" x 48"

Water Penetration of WL-AB-21A


 AMCA Standard 500-L Water Penetration Test (15 minutes test duration)  
 The beginning point of water penetration @ 725 fpm.

Water Penetration V/S Free Area Velocity Graph

Model : WL-AB-21A/B/C; Size : 48" x 48"

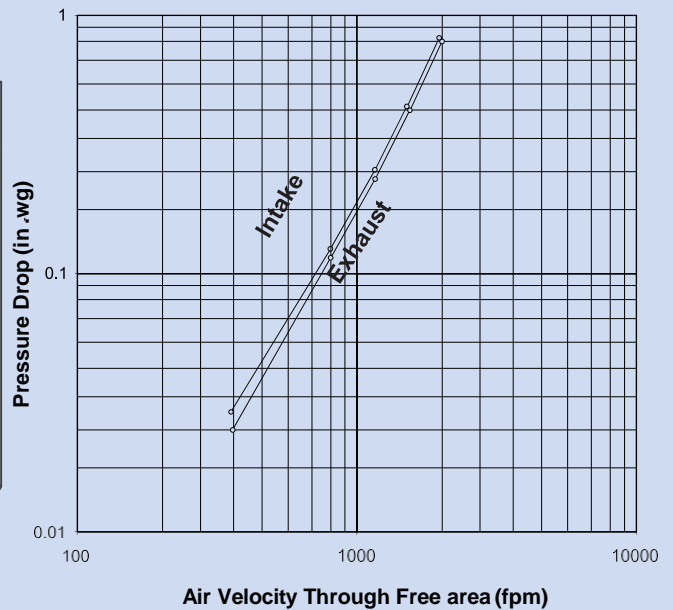


Fig 5.5

 AMCA Standard 500-L Pressure Drop Test.  
 Data is corrected to standard air density.

**BETEC CAD.** Industries FZC. certifies that model **WL-AB-21A/B/C** Weather louver is licensed to bear the **AMCA** seal. The ratings shown are based on tests and procedures performed in accordance with the requirements of the **AMCA Certified Ratings Program**. The **AMCA** seal applies to air performance and water penetration for Weather louvers only.



Selected Products of the company have been Classified / Listed / Tested by various international testing authorities.

