

AMCA500-L Tested Weather Louver

B-30 Series

Heavy duty Stationary Louver

Model : WL-AB-31A/B/C

Type : **A*** - Wall Mounted; **B** - Duct Mounted; **C** - Flush Mounted

BETEC CAD. Manufactures Model WL AB 31 A/B/C Weather Louvers is licensed to bear the AMCA Seal. The ratings shown are based on tests and procedures performed in accordance with the requirements of the AMCA Certified Ratings Program. The AMCA Seal applies to air performance and water penetration ratings for Aluminum louvers only.

Standard Construction

Frame Material

100 mm deep, 3 mm thick extruded aluminum.

Blade Material

2 mm thick extruded aluminum.

Blade Orientation

Horizontal.

Blade Type

Fixed.

Blade Angle

45° Degree

Finish

Mill finish

Optional Fittings

Screen

Galvanized Steel 0.4mm thick

S-3 SS Bird screen

S-10 SS Fly screen

Filter

13 / 25 mm thick aluminum filter

Damper

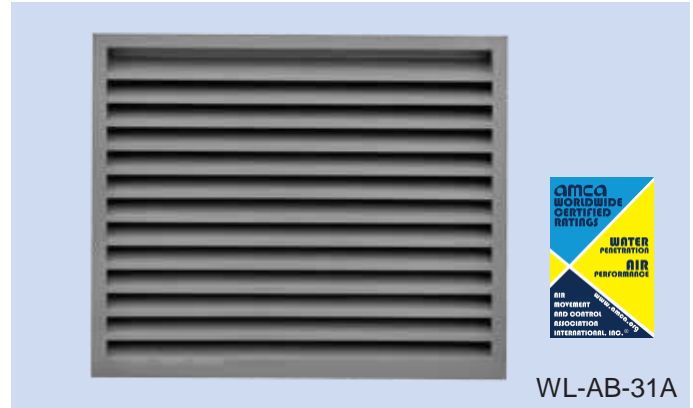
Control Damper.

Finish

Available with RAL Powder coating, please specify color.

Note :

Please contact **BETEC CAD.** for customized design & additional information.



BETEC CAD. Industries (FZC) Certifies Model **WL-AB-31A/B/C** Weather Louvers is licensed to bear the **AMCA** Seal. The ratings shown are based on tests and procedures performed in accordance with the requirements of the **AMCA** Certified Ratings Program. The **AMCA** Seal applies to air performance and water penetration ratings for Aluminum louvers only.

Features

- Performance as per AMCA 500 - L
- Excellent pressure drop performance.
- Aluminum construction for low maintenance and high resistance to corrosion.
- Heavy duty durable construction.
- Free area - 52%
- Beginning of water Penetration @ fpm 1045

B-30 Series Model Details				
Material Construction				
Model	Frame		Blade	
	Material	Thick	Material	Thick
WL-BC-31A/B/C	AL	3 mm	AL	2 mm

Alphabet indicates the type of installation

A - Wall Mounted

B - Duct Mounted

C - Flush Mounted

Any Combination of W x H										
WL-AB-31A/B/C										
Width in Inches	4"	6"	10"	12"	16"	20"	30"	36"	48"	96"
Height in inches	4"	6"	10"	12"	16"	20"	30"	36"	48"	96"

Note:

Maximum single Module Construction - 2 x 1.5 meters.

Multiple module available with mullion.

Selected Products of the company have been Classified/ Listed/ Tested by various international testing authorities.



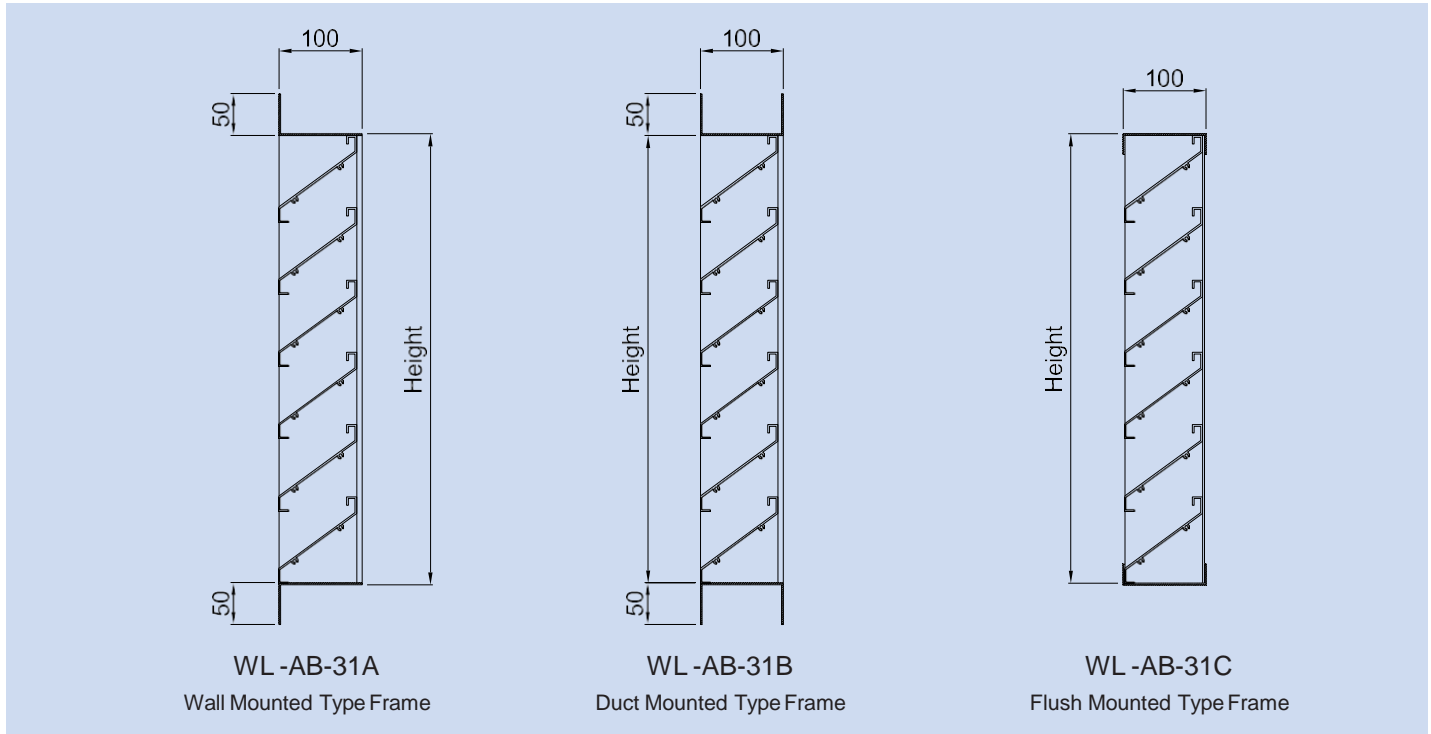
AMCA500-L Tested Weather Louver

B-30 Series

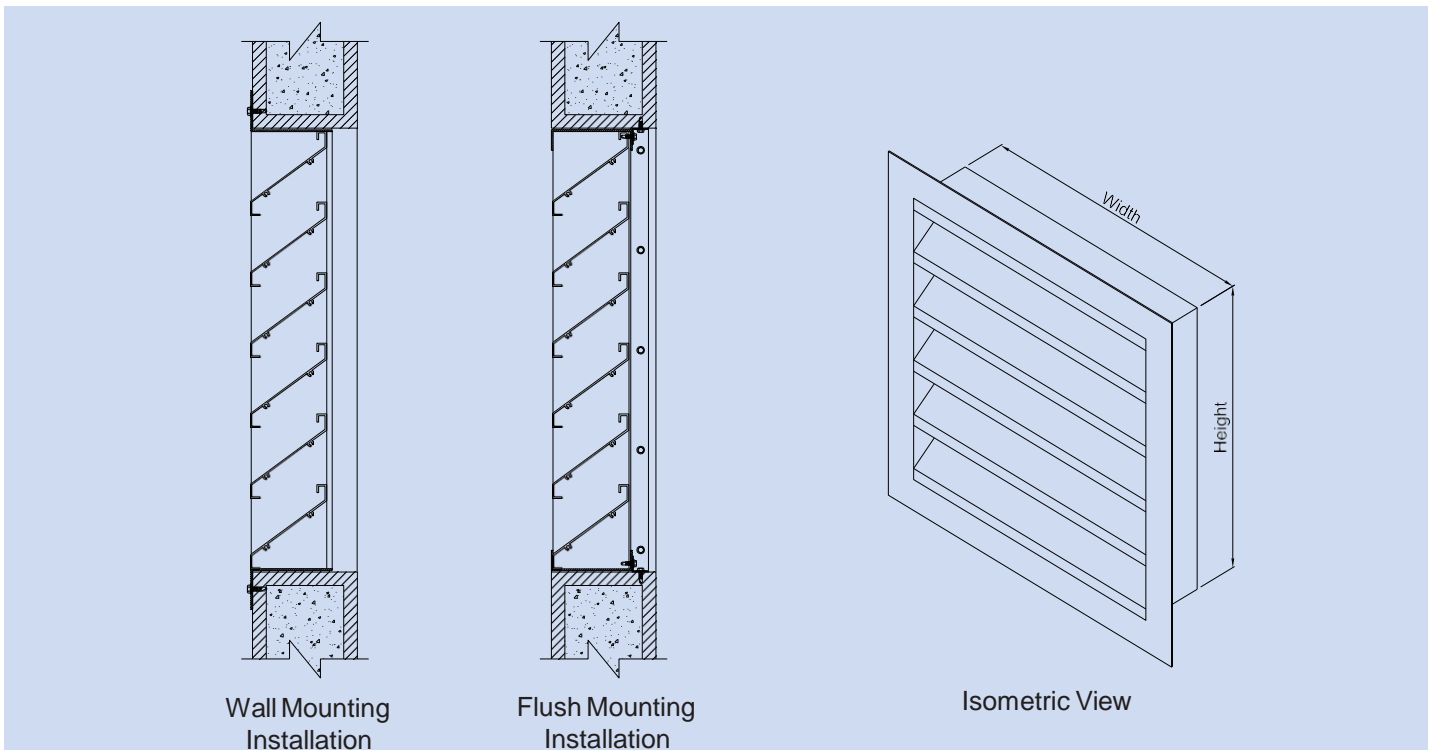
Constructional Details

Model : WL-AB-31A/B/C

A* - Wall Mounted; B - Duct Mounted; C - Flush Mounted



Installation Details :



Selected Products of the company have been Classified/ Listed/ Tested by various international testing authorities.



AMCA500-L Tested Weather Louver
B-30 Series
Engineering and Performance Data

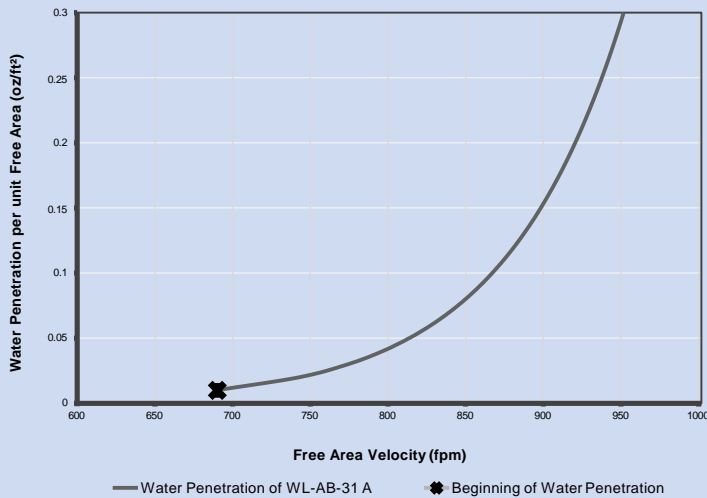
Louver Free Area Model : WL-AB-31A/B/C

Free area in sq. meters											
W/H	300	450	600	750	900	1050	1200	1500	1800	2100	2400
300	0.011	0.028	0.047	0.064	0.080	0.099	0.116	0.152	0.187	0.223	0.256
450	0.020	0.049	0.083	0.111	0.140	0.174	0.203	0.265	0.328	0.391	0.448
600	0.029	0.070	0.118	0.159	0.200	0.249	0.290	0.379	0.469	0.558	0.641
750	0.037	0.091	0.153	0.207	0.261	0.323	0.377	0.493	0.609	0.725	0.833
900	0.046	0.112	0.189	0.255	0.321	0.398	0.464	0.607	0.750	0.893	1.025
1050	0.054	0.133	0.224	0.302	0.381	0.472	0.551	0.721	0.890	1.060	1.217
1200	0.063	0.154	0.259	0.350	0.441	0.547	0.638	0.834	1.031	1.227	1.409
1500	0.080	0.195	0.330	0.446	0.561	0.696	0.812	1.062	1.312	1.562	1.794
1800	0.097	0.237	0.401	0.541	0.682	0.845	0.985	1.289	1.593	1.897	2.178
2100	0.114	0.279	0.472	0.637	0.802	0.994	1.159	1.517	1.874	2.232	2.563
2400	0.131	0.321	0.542	0.732	0.922	1.143	1.333	1.744	2.155	2.567	2.947

Water Penetration V/S Free Area Velocity Graph

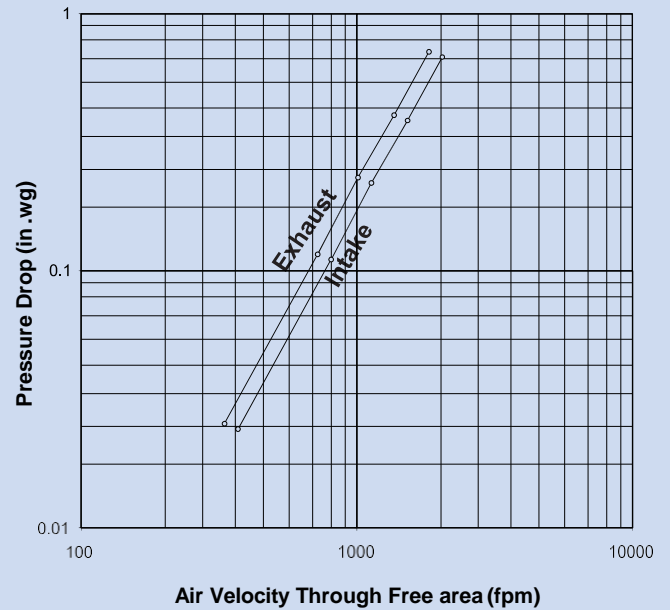
Model : WL-AB-31A/B/C; Size : 48" x 48"

Water Penetration of WL-AB-31 A


 AMCA Standard 500-L Water Penetration Test (15 minutes test duration)
 The beginning point of water penetration @ 694.1 fpm.

Water Penetration V/S Free Area Velocity Graph

Model : WL-AB-31A/B/C; Size : 48" x 48"


 AMCA Standard 500-L Pressure Drop Test.
 Data is corrected to standard air density.

BETEC CAD. Industries (FZC) Certifies Model **WL-AB-31A** Weather Louvers is licensed to bear the **AMCA Seal**. The ratings shown are based on tests and procedures performed in accordance with the requirements of the **AMCA Certified Ratings Program**. The **AMCA Seal** applies to air performance and water penetration ratings for Aluminum louvers only.



Selected Products of the company have been Classified / Listed / Tested by various international testing authorities.

