

**Diffusers - With Media Filter**
**Type: Filter For Return Ceiling Diffuser**
**Throw: Four way**
**Model :RAD-AB-14-F**
**Construction: Aluminium**
**B-10 Series**
**Description**

Diffuser frame and core are made of high quality extruded aluminium profiles and discharges air equally in four ways as per blade arrangement.

Diffuser core is fixed to the frame using aluminium pins, which are removable to provide access for damper adjustment. Ceiling diffusers available with removable type washable aluminium media filter.

**Standard Construction**
**Frame**

Extruded aluminium profile with 33 mm flange width.

**Core**

Die punched single piece sheet.

**Filter**

12 mm Thick aluminium media filter.

**Finish**

Available with RAL powder coating, please specify color.

**Optional Fittings**
**Plenum Chamber**

Plenum is available with circular, square or rectangular spigots in either top or side entry applications.

**Filter**

25 mm Thick aluminium media filter.

**Neck Reducer (R)**

Neck reducers are available with circular, square or rectangular spigots in top entry only.

**Foam Gasket**

Provided all around the frame, to prevent leakage of air.

**Finish**

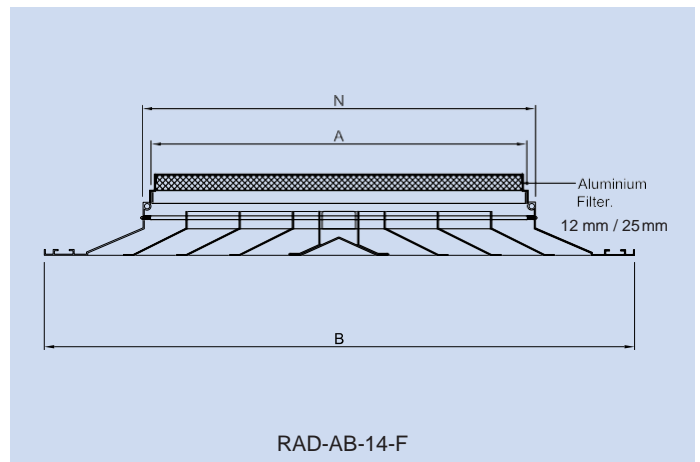
Mill finish or Chrome plating.

**Frame and Core**

Available in Stainless Steel (304/316L).



RAD-AB-14-F



RAD-AB-14-F

Standard Sizes of Square type Models					
N = Nominal Size		A = Neck Size		B = Face size	
L x W		L x W		L x W	
150	150	145	145	295	295
225	225	220	220	370	370
300	300	295	295	445	445
375	375	370	370	520	520
450	450	445	445	595	595
525	525	520	520	670	670
600	600	595	595	745	745

**Note:**

Available in rectangular sizes & are suitable for flush mounting in lay-in type ceiling.

SAD - Supply Air Diffuser (with Damper) & RAD - Return Air Diffuser (without Damper)

Selected Products of the company have been Classified / Listed / Tested by various international testing authorities.

