

Diffusers - ETL - Intertek Tested
B-10 Series
Type: Supply / Return Ceiling Diffuser
Throw: Three way
Model: SAD-AB-13; RAD-AB-13
Construction: Aluminium
Description

Diffuser frame and core are made of high quality extruded aluminium profiles and discharges air in three ways as per blade arrangement.

Diffuser core is fixed to the frame using aluminium pins, which are removable to provide access for damper adjustment. The opposed blade damper is rigidly fixed to the frame by spring clips and is screw operated from the face opening of the diffuser. Nylon bushes are installed between blade and frame for rattle free operation.

Standard Construction
Frame

Extruded aluminium profile with 33 mm flange width.

Core

Die punched single piece sheet.

Damper

Opposed Blade Damper with extruded aluminium frame and blade operated with screw.

Bushes

Nylon.

Finish

Available with RAL powder coating, please specify color.

Optional Fittings
Plenum Chamber

Plenum is available with circular, square or rectangular spigots in either top or side entry applications.

Neck Reducer (R)

Neck reducers are available with circular, square or rectangular spigots in top entry only.

Foam Gasket

Provided all around the frame, to prevent leakage of air.

Damper Finish

Black matte.

Finish

Mill finish or Chrome plating.

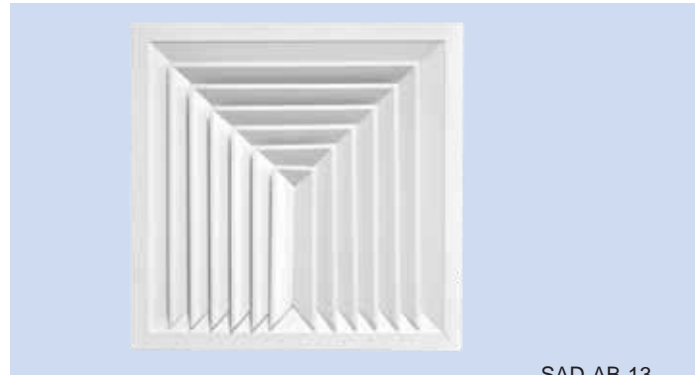
Frame and Core

Available in Stainless Steel (304/316L).

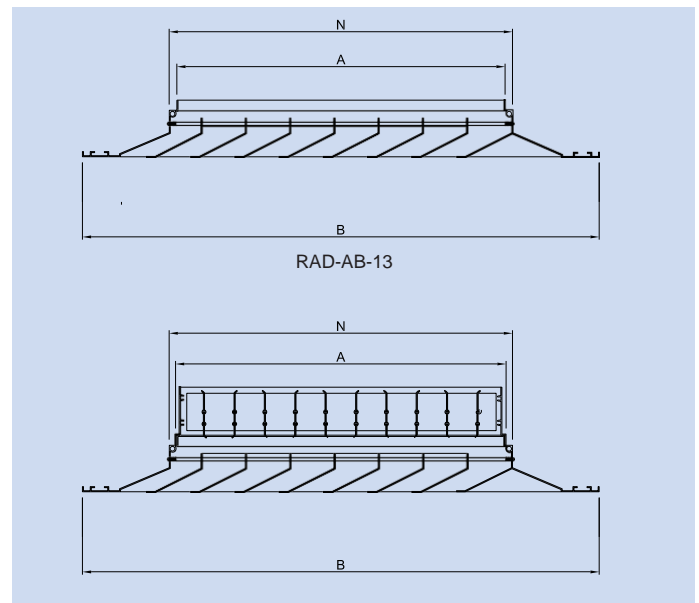
Note:

Available in rectangular sizes & are suitable for flush mounting in lay-in type ceiling.

SAD - Supply Air Diffuser (with Damper) & RAD - Return Air Diffuser (without Damper)



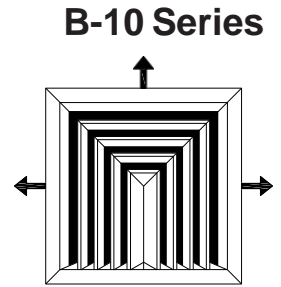
SAD-AB-13



Standard Sizes of Square type Models					
N = Nominal Size		A = Neck Size		B = Face size	
L x W		L x W		L x W	
150	150	145	145	295	295
225	225	220	220	370	370
300	300	295	295	445	445
375	375	370	370	520	520
450	450	445	445	595	595
525	525	520	520	670	670
600	600	595	595	745	745

Selected Products of the company have been Classified / Listed / Tested by various international testing authorities.



**Diffusers - ETL - Intertek Tested
Engineering and Performance Data**
Type: Supply, Return, Ceiling Diffuser
Throw : Three way
Model: SAD-AB-13; RAD-AB-13
Construction: Aluminium


SAD/RAD-AB-13 (3 way Diffuser)												
Neck Size (inches)	Area Factor (Ak)	Neck Velocity (FPM)	250	350	450	550	650	750	850	950	1050	1150
6 x 6	0.017	Flow	63	88	113	138	163	188	213	238	263	288
		NC	<15	<15	<15	19	24	28	32	35	38	40
		Throw	8,5,3	12,8,5	15,12,8	19,12,8	20,14,10	24,15,11	24,15,10	25,17,11	26,18,11	29,19,12
		Ps	0.024	0.036	0.079	0.18	0.2	0.25	0.31	0.34	0.35	0.4
9 x 9	0.028	Flow	141	197	253	309	366	422	478	534	591	647
		NC	<15	<15	20	26	31	35	39	42	45	47
		Throw	10,6,4	14,9,5	16,11,9	19,12,8	20,14,9	22,16,10	24,17,11	26,16,10	26,17,11	27,18,12
		PS	0.024	0.027	0.036	0.12	0.19	0.26	0.29	0.36	0.39	0.43
12 x 12	0.045	Flow	250	350	450	550	650	750	850	950	1050	1150
		NC	<15	19	27	33	38	43	46	50	>50	>50
		Throw	13,8,4	16,12,6	18,15,11	20,14,8	21,16,12	26,18,10	26,16,10	26,18,11	26,18,13	26,19,17
		Ps	0.03	0.06	0.13	0.21	0.29	0.39	0.45	0.5	0.54	0.6
15 x 15	0.061	Flow	391	547	703	859	1016	1172	1328	1484	1641	1797
		NC	<15	23	32	39	44	49	>50	>50	>50	>50
		Throw	15,10,5	19,14,8	21,15,9	22,17,11	24,17,11	24,18,12	25,18,12	26,20,13	21,21,17	21,21,19
		Ps	0.03	0.06	0.21	0.24	0.34	0.45	0.49	0.54	0.58	0.6
18 x 18	0.075	Flow	502	702	903	1104	1305	1505	1706	1907	2107	2308
		NC	<15	23	32	40	46	>50	>50	>50	>50	>50
		Throw	16,11,7	20,15,10	23,19,12	24,19,12	26,19,12	26,19,12	27,21,17	28,22,18	29,24,20	30,24,21
		Ps	0.03	0.09	0.1	0.24	0.29	0.34	0.46	0.5	0.54	0.6
21 x 21	0.088	Flow	582	812	1042	1272	1502	1732	1962	2192	2422	2652
		NC	<15	23	33	42	46	>50	>50	>50	>50	>50
		Throw	17,12,7	18,12,7	20,14,9	22,16,10	23,18,11	24,19,11	25,19,12	25,20,13	26,21,14	28,22,14
		Ps	0.04	0.1	0.26	0.28	0.31	0.36	0.47	0.54	0.62	0.7
24 x 24	0.1	Flow	634	914	1194	1474	1754	2034	2314	2594	2874	3154
		NC	<15	24	34	41	48	>50	>50	>50	>50	>50
		Throw	18,12,8	18,14,9	20,16,10	21,17,10	23,18,11	24,19,12	25,19,13	26,21,14	26,22,14	29,23,15
		Ps	0.06	0.12	0.28	0.3	0.32	0.38	0.49	0.56	0.64	0.72

Note:

1. Airflow is measured in cubic feet / minute (CFM).
2. Static Pressure (Ps) is measured in inch water guage (in.w.g).
3. Noise criteria (NC) is measured in decibals (dB).
4. Neck velocity is measured in feet/minute (fpm).

5. Throw is measured in feet (ft).
6. Area factor (Ak) is measured in square meter (m²).

Selected Products of the company have been Classified / Listed / Tested by various international testing authorities.

