

Linear Slot Diffusers ETL - Intertek Tested
B-20 series
Construction Details and Dimensions
Plenum Box details
Linear Slot Plenums

BETEC CAD's Linear slot plenums are manufactured to suit the full range of linear diffusers from 1 to 8 slots models of **RLSD / SLSD**, for horizontal diffusion of air without change in air volume, pressure or sound level. 100% utilization of diffuser face area, regardless of pattern deflection, gives optimum performance in terms of air handling characteristics. These diffusers have high diffusion induction rates, resulting in rapid temperature and velocity equalization of the mixed air volume, well above the zone of occupancy.

Correct selection and sizing of distribution plenum chambers and neck reducers is critical because terminal air resistance is very low relative to the distribution ductwork resistance. A similar effect results from use of neck reducers with circular duct connections because the reduced duct area will cause generally higher velocities and hence increased risk of noise generation.

Maximum one piece length is 1200mm. Above this length plenums are supplied in multiple sections of even length each provided with an inlet spigot.

Standard Construction
Plenum Chamber

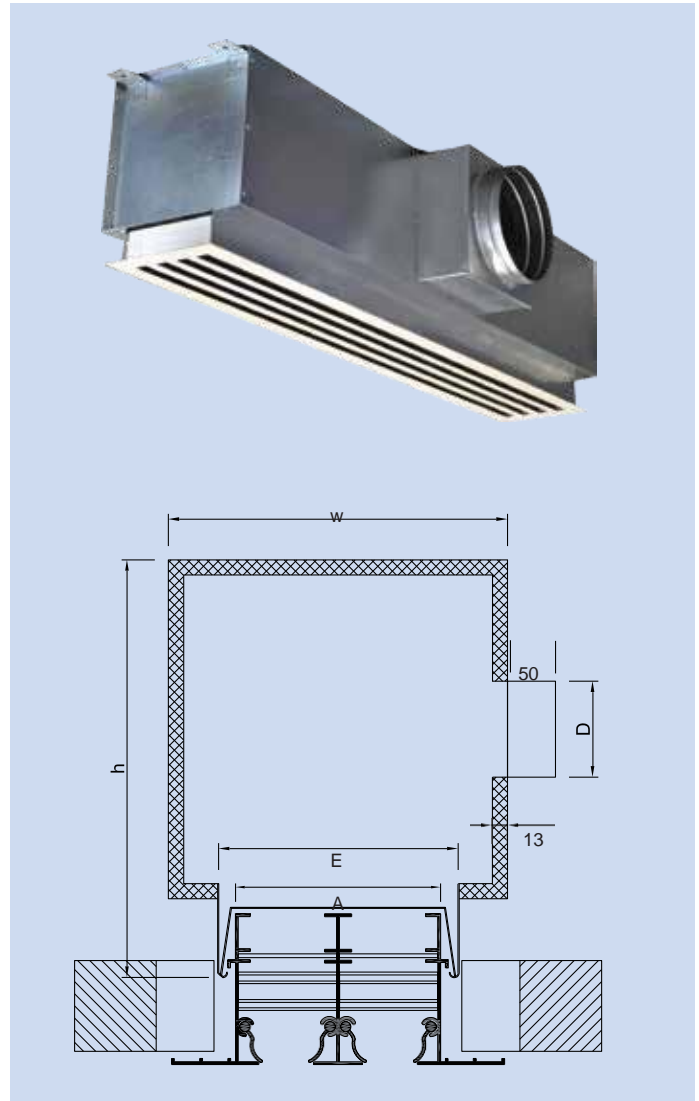
Plenum is available with circular, square or rectangular spigots in either top or side entry applications.

Casing

0.7 mm thick galvanized steel.

Insulation

Acoustic liner of 13 mm thickness, 32 kg/m³ density.


Plenum Box with Insulation

| No of Slots | D (mm) | H (mm) | E (mm) | W (mm) |
|-------------|--------|--------|--------|--------|
| 1 | 150 | 300 | A+10 | E+100 |
| 2 | 150 | 300 | A+10 | E+100 |
| 3 | 200 | 350 | A+10 | E+100 |
| 4 | 250 | 400 | A+10 | E+100 |
| 5 | 250 | 400 | A+10 | E+100 |
| 6 | 300 | 450 | A+10 | E+100 |
| 7 | 300 | 450 | A+10 | E+100 |
| 8 | 300 | 450 | A+10 | E+100 |

Note :

A = Slot Diffuser Neck size

Plenum Box without Insulation

| No of Slots | D (mm) | H (mm) | E (mm) | W (mm) |
|-------------|--------|--------|--------|--------|
| 1 | 150 | 275 | A+10 | E+50 |
| 2 | 200 | 275 | A+10 | E+50 |
| 3 | 200 | 275 | A+10 | E+50 |
| 4 | 250 | 275 | A+10 | E+50 |
| 5 | 250 | 275 | A+10 | E+50 |
| 6 | 315 | 340 | A+10 | E+50 |
| 7 | 315 | 340 | A+10 | E+50 |
| 8 | 315 | 340 | A+10 | E+50 |

Note :

A = Slot Diffuser Neck size

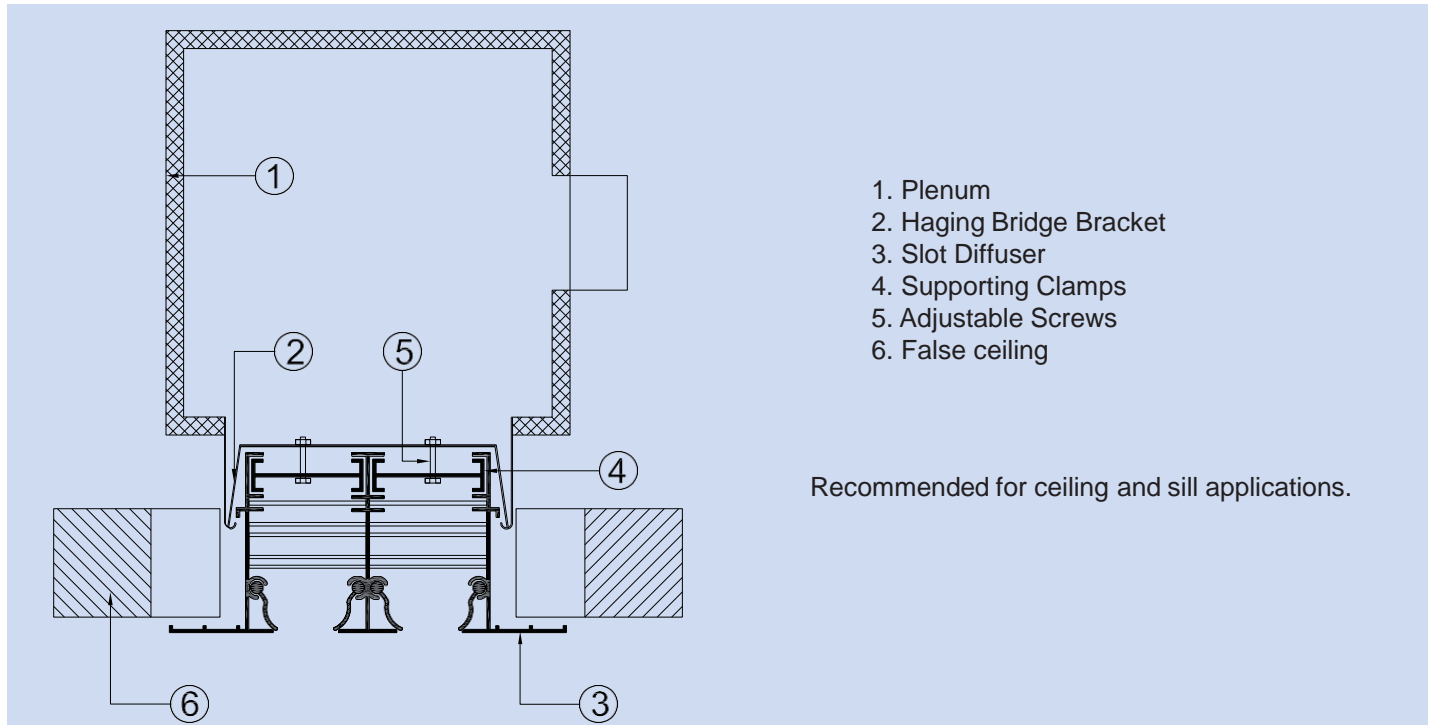
Selected Products of the company have been Classified / Listed / Tested by various international testing authorities.



Linear Slot Diffusers ETL - Intertek Tested

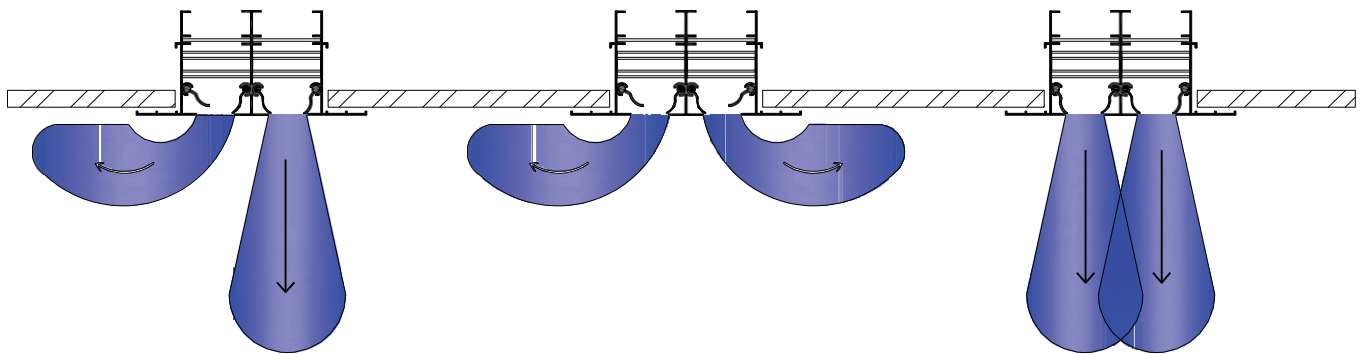
B-20 series

Linear Slot Diffusers Fixing Details



Engineering and performance Data

Possible Combinations of discharging of air by adjusting the deflectors.
 Model : SLSD-AB-21-S-x



50% Horizontal along the ceiling
 50% Vertically downwards

100% Horizontal along the ceiling

100% Vertically downwards

Selected Products of the company have been Classified / Listed / Tested by various international testing authorities.

